



*Patented Technology*

**MINI**  
ONE CHANNEL

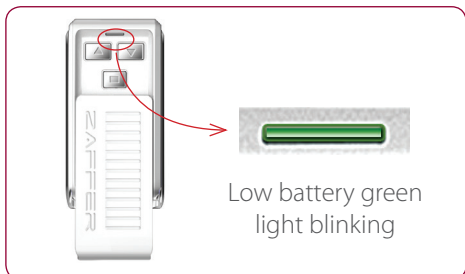
Belgium - Version: 1.4  
(NL-FR) - 2014



Afstandsbediening, 1 kanaal.

• *Commande à distance 1 canal.*

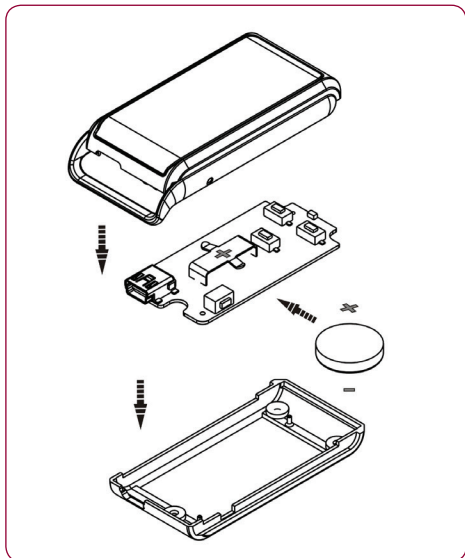
• Remote control 1 channel.



«Lage batterij» indicator.

• *Indicateur niveau batterie faible.*

• «Low battery» indicator.



Battery: **CR 2032**

**CAUTION RISK OF EXPLOSION IF BATTERY IS REPLACED BY AN INCORRECT TYPE. DISPOSE OF USED BATTERIES ACCORDING TO THE INSTRUCTIONS**

## CE Declaration of Conformity

ZAFFER B.v.b.a - Weveldlaan 41 B-1930 Zaventem Belgium, declares that the product.

MINI, meet the essential requirements of the R&TTE directive 1999/5/EC for the intended use of the devices.

Note: A copy of the original declaration of conformity for each product can be requested from ZAFFER Bvba.



Power input : 3V dc with **1 x CR 1632** lithium batteries  
Frequency : 433 MHz.  
Working temperature : -20°C +70°C  
Radiated power : Estimated at approx. 1mW  
IP : 40

Zaffer B.v.b.a reserves the right to modify its products without any notice.

1

- A Install zaffer soft,  
download from  
[www.zaffer.be](http://www.zaffer.be)



USB



Please connect your device

2

A



Click here

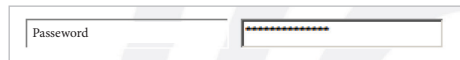


Paswoord vereist voor inbreng of aanpassing motornummers (alleen voor professionelen).  
*Mot de passe requis pour encoder ou adapter des numéros de moteur (seulement pour professionnels).*  
Password required for input and modification motor numbers (only for professionals).

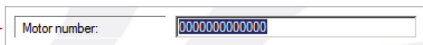
B



Enter Password

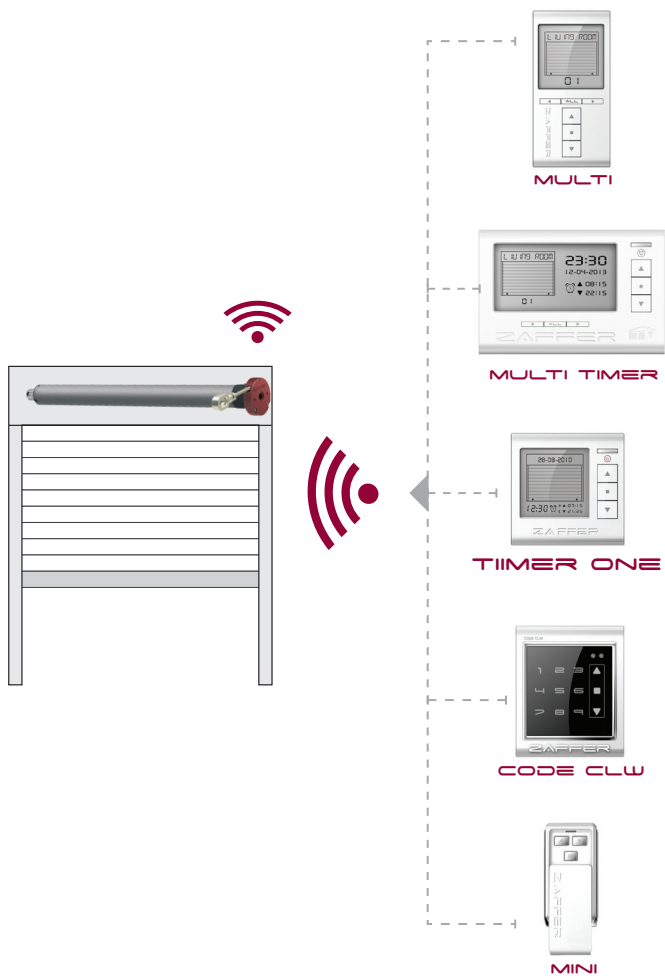


C



Enter Motor number  
or  
Delete motor number





[www.zaffer.be](http://www.zaffer.be)